

ULTRA-MAG



Flexible Magnetic Extrusions

Description

Custom designed extrusion and custom cut parts to fit your specifications. Standard and high energy strip. Magnetized with the correct pattern for your application, or not magnetized. Strip available with pressure sensitive adhesive backing.

Magnetic Properties of Ultra-Mag Standard

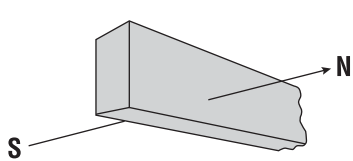
Maximum Energy Product (BHmax x 10 ⁶)	.078
Residual Induction B _r (gauss)	.1850
Coercive Force H _c (oersteds)	.1500
Intrinsic Coercive Force H _{ci} (oersteds)	.2400

Physical Properties of Ultra-Mag

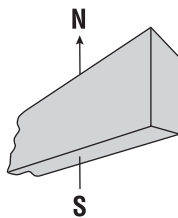
Specific Gravity	.37
Hardness	Shore D52
Ultimate Tensile Strength psi	.1000

Higher energy values available upon request.

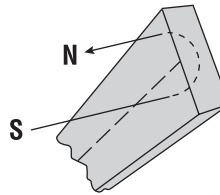
Patterns of Magnetization



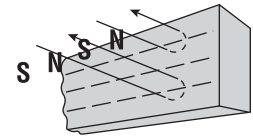
(1) Conventional Through Thickness



(2) Through Width



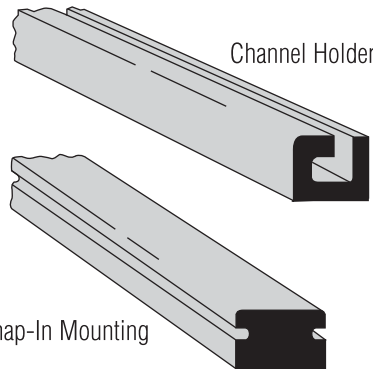
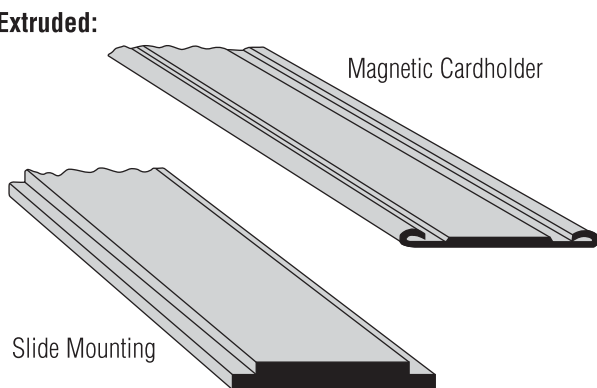
(3) 2 Poles One Side



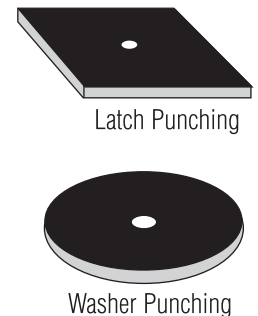
(4) Multiple Poles One Side

Typical Examples of Ultra-Mag Custom Made Shapes

Extruded:



Stamped:



Call your Flexmag Industries Representative today.



107 Industry Road Marietta, OH 45750
 800-543-4426 740-374-8024 Fax: 740-374-5068
www.Flexmag.com